

## Concealed ceiling installation box for surface-mounted ceiling installation with light -

---

35 042 970 90



- concealed rough parts
- 2x female thread 1/2" connections
- Supply pipe 7 m
- Input 100-240V AC 50-60Hz
- Output 350 mA SELV / Class II
- Provided by customer: Light switch
- For simultaneous control of the jet types, we recommend the xTool thermostat module
- Not suitable for use in a steam room.

### Recommended miscellaneous

---

**Leak protection 1/2" -**

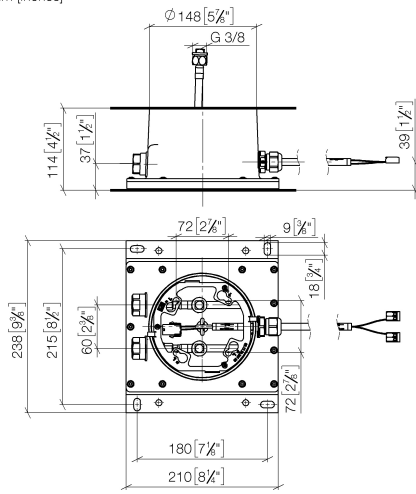
12 010 970 90

- This article is needed 2x.



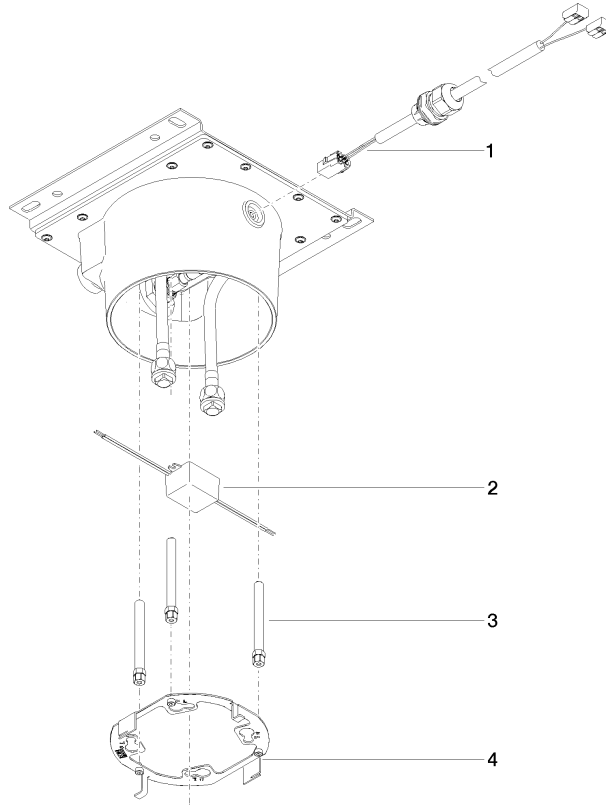
**Concealed ceiling installation box for surface-mounted ceiling installation with light -**

35 042 970 90  
mm [inches]



**Concealed ceiling installation box for surface-mounted ceiling installation with light -**

35 042 970 90



**Spare parts list**

No.	Item Number	Name	Quantity used	Delivery time
1	90 10 01 227 00 90	electronic accessories	1	2
2	90 10 01 257 00 90	electronic accessories	1	2
3	90 30 30 208 00 90	screw	1	2
4	90 17 20 239 00 90	flange	1	2